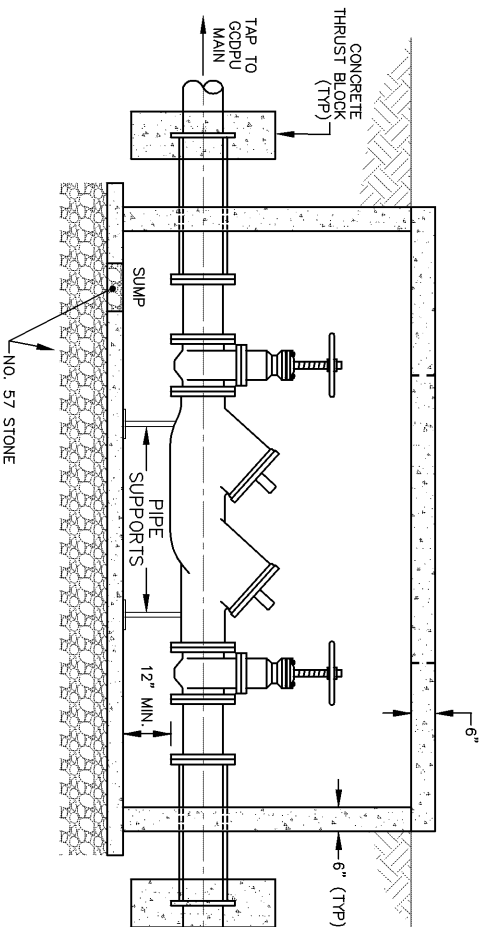
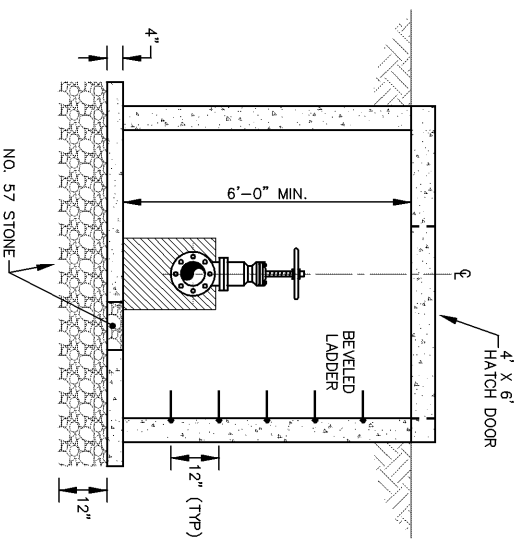


PLAN VIEW



SIDE VIEW



END VIEW

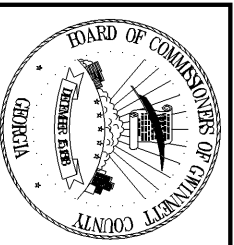
**VAULT SPECIFICATIONS**

1. THIS DRAWING SHALL BE USED FOR INSTALLATION OF 10" DOUBLE DETECTOR CHECK VALVE.
2. ALL PIPE AND FITTINGS SHALL BE FLANGED DUCTILE IRON PIPE.
3. VAULT TOP SHALL BE 6" THICK REINFORCED CONCRETE. MINIMUM INSIDE HEIGHT IS 6'-0". VAULT BOTTOM IS 4" CONCRETE SLAB SLOPED TO 12" x 12" DRAIN SUMP HOLE. SLAB TO BE POURED ON 12" OF COMPACTED NO. 57 STONE. HATCH OPENING SHALL BE TO ONE SIDE OF VAULT AT THE CENTER POINT OF THE WALL.
4. HATCH SHALL BE BILCO ALUMINUM MODEL JD-44L OR EQUAL APPROVED IN ADVANCE BY GDDPU.
5. VAULT INLET/OUTLET OPENINGS SHALL BE SEALED WITH CONCRETE OR BRICK AND MORTAR AROUND PIPE. PIPE MUST NOT SUPPORT VAULT.
6. VAULT SHALL BE PRECAST FOR NON-LOAD BEARING APPLICATION. WHEN VAULT WILL BE SUBJECTED TO LIVE LOAD, CUSTOMER'S ENGINEER SHALL SUBMIT DETAILED VAULT DESIGN FOR GDDPU APPROVAL IN ADVANCE OF CONSTRUCTION.
7. ACCESS LADDER - SHALL BE DOWNED TO WALL AND CENTERED AT HATCH OPENING.
8. DOUBLE DETECTOR CHECK VALVE ASSEMBLY SHALL BE SUPPORTED IN TWO (2) PLACES ON CAP BLOCKS OR STEEL. NO WOOD IS ALLOWED.
9. THRUST BLOCKS - SHALL CONFORM TO GDDPU DRAWING NO. A-24 (LATEST REVISION).

10. THRUST TIE RODS - SHALL CONFORM TO GDDPU DRAWING NO.'S A-33, A-74, AND A-78. RODS SHALL EXTEND FROM FIRST FLANGE INSIDE VAULT TO TAPPING VALVE (WELDED TO CASING ON LONG SIDE BORE).
11. DOUBLE DETECTOR CHECK VALVE ASSEMBLY SHALL BE WATTS MODEL 709 DODA, HERSEY MODEL DDC-II, FERGO MODEL 856, AMES MODEL 3000 SS, OR EQUAL APPROVED IN ADVANCE BY GDDPU.
12. CHECK VALVE SHALL BE EQUIPPED WITH OS&Y RESILIENT SEALED GATE VALVES.
13. ALL MATERIALS SHALL BE FURNISHED BY CUSTOMER.
14. DOUBLE DETECTOR CHECK VALVE ASSEMBLY DIMENSIONS SHOWN ARE FOR WATTS MODEL 709 DODA. OTHER VALVE ASSEMBLY DIMENSIONS MAY VARY.
15. VAULT SHALL BE INSTALLED ON PRIVATE PROPERTY. CUSTOMER MUST PROVIDE A 15' x 30' EASEMENT AND/OR RIGHT OF ENTRY CLAUSE.
16. MINIMUM CLEARANCE FROM VAULT FLOOR TO BOTTOM OF FLANGES SHALL BE 12".
17. VALVE PAD AND VALVE MARKER SHALL BE INSTALLED WHERE APPROPRIATE.

**NOTES**

1. NO WORK SHALL BEGIN WITHOUT OBTAINING "CONSTRUCTION PERMIT" FROM THE DEPARTMENT OF PUBLIC UTILITIES (GDDPU).
2. NO TAPS TO GWINNETT COUNTY WATER MAINS SHALL BE MADE WITHOUT THE INSPECTOR PRESENT.
3. ALL BACKFLOW PREVENTION DEVICES SHALL MEET OR EXCEED GDDPU SPECIFICATIONS.
4. ALL BACKFLOW PREVENTION DEVICES MUST BE TESTED BY A TESTER FROM THE GWINNETT COUNTY APPROVED TESTERS LIST BEFORE A FINAL C.O. WILL BE ISSUED. (AN APPROVED TESTERS LIST MAY BE OBTAINED BY CALLING 678-376-6907.)



GWINNETT COUNTY  
 DEPARTMENT OF PUBLIC UTILITIES  
 BACKFLOW PREVENTION  
*"A community-environmental health protection program"*

**10" DOUBLE DETECTOR CHECK VALVE**

DRAWN BY: JDS	DATE: 07-21-04	SCALE: N.T.S.
---------------	----------------	---------------